

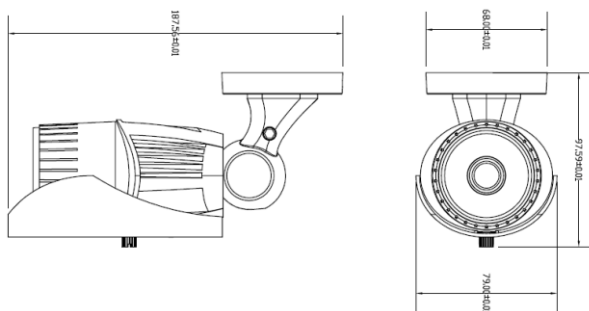
2MP Pro-HD+ Day/Night Fixed IR Bullet Camera



Technical Specifications

Model	PI-HPN203L/206L
Feature	
Material	Plastic
Image Sensor	1/2.7" Image Sensor
Signal System	PAL/NTSC
Horizontal Resolution	2MP
IR	IR Range of 30M
Lens	3.6mm / 6mm
IR Cut	-
S/N Ratio	≥ 52dB (AGC OFF/BW OFF)
Power Supply	DC12V
Min. Illumination	Color (0.1Lux), White and Black (0Lux IR LED On)
Electronic Exposure	1/50(1/60)-1/100000s
AGC	Auto
White Balance	Auto
BLC	Auto
Gamma Corrections	0.45
Dimensions	187.56*79*97.59MM
Weight	1 KG
Video Output	1.0Vp-p75Ω
Power Consumption	0.4W(2.5W after IR LED Powered on)
Operating Temperature	-20-50C

Dimensions (mm)



Installation Diagram

